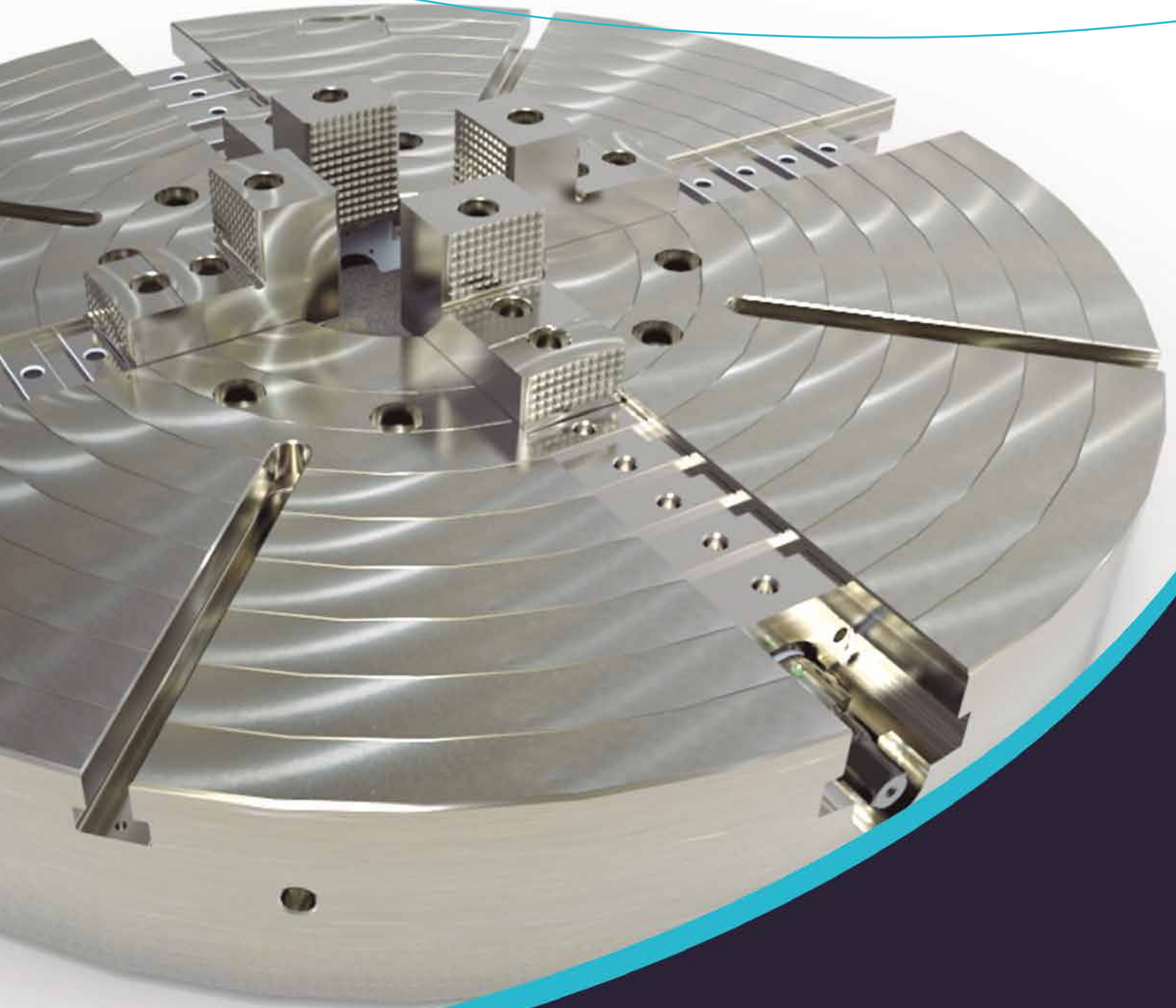


PLATOS MANUALES MANUAL CHUCKS



TDG
Clamping
Solutions
Gernika Since 1916



“TDG lleva presente en el mundo de la máquina herramienta desde su fundación en 1916. Durante este largo periodo ha sido capaz de amoldarse a los constantes cambios producidos dentro del sector, adaptando sus tecnologías de fabricación y su gama de productos a las necesidades del mercado.”

Este catálogo presenta los productos estándar que constituyen la oferta actual de TDG, oferta que, por otra parte, está en permanente evolución, ya que el hecho de estar especializados en soluciones a medida hace que todos los desarrollos que podemos preparar para nuestros clientes sean imposibles de plasmar en un solo documento.

Si no encuentra el producto que busca en este catálogo, no dude en acudir a nosotros para diseñar su propia solución a medida.

“TDG Has been present in the machine tool market since its foundation in 1916. During this long period of time TDG has been able to allow for the constant changes within the industry, adapting its manufacturing technology and its range of products to the needs of the market.”

This catalogue presents the products that, at present, constitute the range of standard goods manufactured and supplied by TDG. This offer is in constant evolution as a result of being specialized in tailored solutions makes all the developments, we can prepare for our clients impossible to translate into a single document.

If you do not find the product you are looking for in this catalog, do not hesitate to come to us to design your own customized solution.



TDG
Clamping
Solutions
Gernika Since 1916

ÍNDICE

INDEX

SOLUCIONES DE AMARRE MANUALES

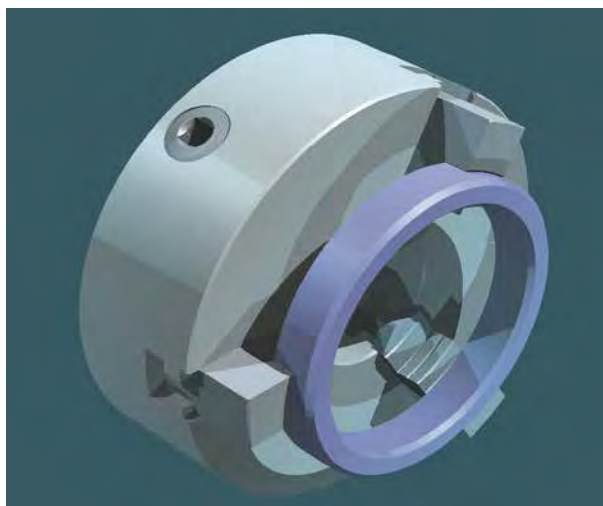
MANUAL CLAMPING SOLUTIONS

| | | |
|---|----------|--|
| Platos estándar manuales para torno horizontal. | -- 4 -- | Standard Manual chucks for horizontal lathes. |
| Diferentes tipos de garras. | -- 5 -- | Different types of jaws. |
| TDG PU - Platos autocentrantes de 3 garras monoblock. | -- 6 -- | TDG PU - 3 monoblock jaws scroll chuck. |
| TDG PU - Platos autocentrantes de 3 garras partidas. | -- 7 -- | TDG PU - 3 two piece jaws scroll chuck. |
| TDG PGI - Platos de garras independientes monoblock. | -- 8 -- | TDG PGI - Monoblock independent jaws chuck. |
| TDG PGI - Platos de garras independientes partidas. | -- 9 -- | TDG PGI - Two pieces jaws independent chuck. |
| | | |
| Platos manuales para trabajos pesados. | | Heavy duty manual chucks. |
| TDG PGI HD - Platos de garras independientes para trabajos pesados. | -- 12 -- | TDG PGI HD - Heavy duty independent chucks. |
| TDG PGI XL - Platos de garras independientes para trabajos pesados XL. | -- 13 -- | TDG PGI XL - Super heavy duty Independent chucks. |
| TDG PGI XXL - Platos de garras independientes para trabajos pesados XXL. | -- 14 -- | TDG PGI XXL - Extra heavy duty Independent chucks. |
| TDG PHM - Platos de garras independientes con husillos multiplicadores. | -- 15 -- | TDG PHM - Power clamping screws chuck. |
| | | |
| Platos manuales para torno vertical. | | Manual chuck for vertical lathes. |
| TDG PU VTL - Platos autocentrantes para torno vertical. | -- 18 -- | TDG PU VTL - 3 Jaws scroll chuck for vertical application. |
| TDG PGI VTL - Platos de garras independientes para torno vertical. | -- 19 -- | TDG PGI VTL - Vertical independent chuck. |
| | | |
| Platos manuales con gran paso de barra. | | Big bore manual chucks. (Oil Country). |
| TDG PU Oil Country - Platos autocentrantes con gran paso de barra. | -- 20 -- | TDG PU Oil Country - Big bore 3 jaws scroll chucks. |
| TDG PGI Oil Country - Platos de garras independientes con gran paso de barra. | -- 21 -- | TDG PGI Oil Country - Big bore independent chucks. |
| | | |
| Platos combinados. | | Combination chucks. |
| Platos combinados de gran diámetro. | -- 22 -- | Large diameter combination chucks. |
| | | |
| Platos lisos. | | Face plates. |
| Platos lisos. | -- 24 -- | Face plates |
| Pallets TDG. | -- 25 -- | TDG Pallets |
| Bloques TDG. | -- 26 -- | TDG Box Jaws |
| | | |
| Soluciones de amarre a medida | -- 28 -- | Custom made clamping solutions |
| | | |
| Otros catálogos TDG | -- 30 -- | Other TDG brochures |
| | | |
| TDG Clamping Solutions | -- 31 -- | TDG Clamping Solutions |

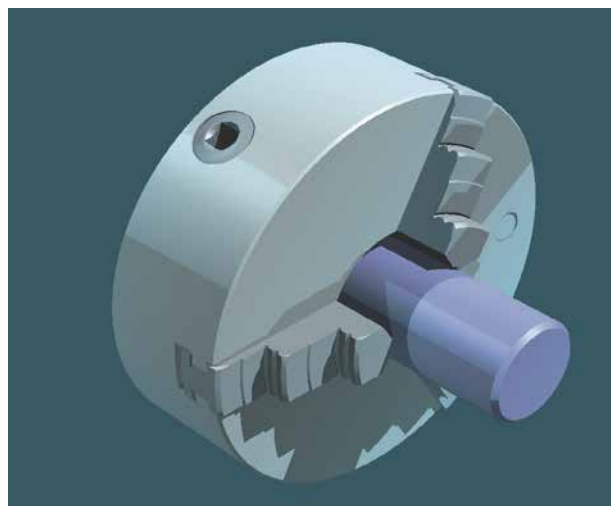
PLATOS ESTANDAR MANUALES PARA TORNO HORIZONTAL STANDARD MANUAL CHUCKS FOR HORIZONTAL LATHES



Platos autocentrantes de 3 garras
3 Jaws scroll chucks



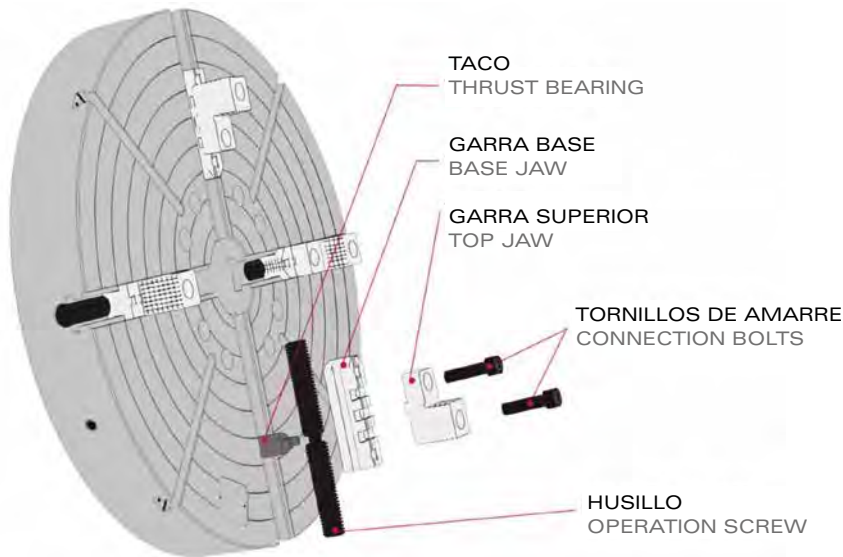
- Garra nº1 para amare exterior
- Nº1 Hard jaw for external clamping



- Garra nº2 para amare interior
- Nº2 Hard jaw for internal clamping

Platos de 4 garras independientes

4 Jaws independent chucks



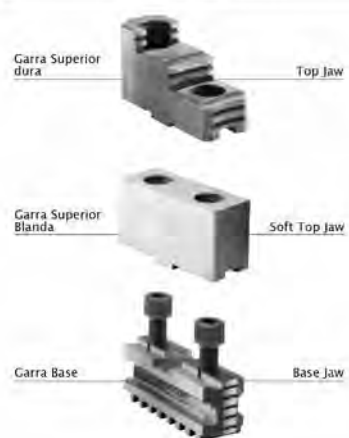
DIFERENTES TIPOS DE GARRAS

DIFFERENT TYPES OF JAWS

Garra Monobloc
One Piece Jaws



Garra Partida
Two Piece Jaws



PLATOS ESTANDAR MANUALES PARA TORNO HORIZONTAL

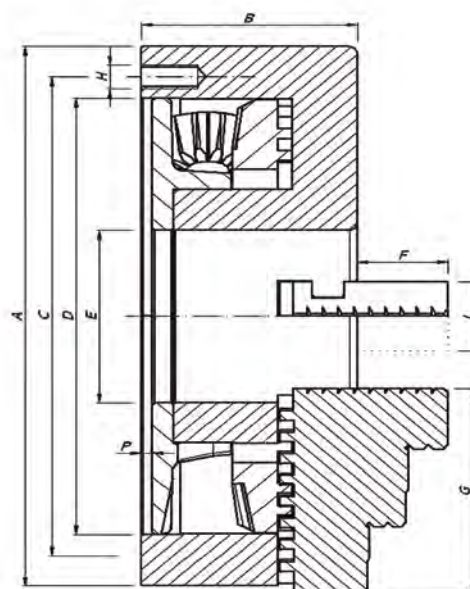
STANDARD MANUAL CHUCKS FOR HORIZONTAL LATHES

TDG PU - Platos autocentrantes de 3 garras monoblock

TDG PU - 3 monoblock jaws scroll chuck

| A mm | A inch | B | C | D | E | F | G | H | L | P |
|------|--------|-----|-----|-----|-----|------|-----|-------|----|-----|
| 200 | 8 | 75 | 176 | 160 | 55 | 29,3 | 77 | 3xM10 | 25 | 4 |
| 250 | 10 | 83 | 222 | 202 | 80 | 34,5 | 95 | 3xM12 | 32 | 4,2 |
| 315 | 13 | 105 | 284 | 258 | 105 | 44,5 | 115 | 3xM14 | 40 | 5 |
| 350 | 14 | 100 | 320 | 290 | 155 | 53,5 | 140 | 3xM14 | 40 | 5 |
| 400 | 16 | 113 | 362 | 320 | 130 | 53,5 | 140 | 3xM16 | 40 | 5 |
| 500 | 20 | 141 | 458 | 400 | 165 | 74,5 | 175 | 6xM16 | 45 | 6 |
| 630 | 24 | 140 | 586 | 545 | 205 | 74,5 | 175 | 6xM16 | 45 | 7 |

| A mm | A inch | Material | Max. R.P.M. | Max. par de apriete | Fuerza de amarre | Peso (kg) 3G | Ø max. Amarre | Ø min. Amarre |
|------|--------|-------------|-------------|---------------------|------------------|----------------|-----------------|-----------------|
| A mm | A inch | Material | Max. R.P.M. | Max. Torque on Key | Gripping Force | Weight (kg) 3J | max. Ø Clamping | min. Ø Clamping |
| 200 | 8 | Acero/Steel | 3056 | 13 daN m | 5300 daN | 17 | 200 | 4 |
| 250 | 10 | Acero/Steel | 2445 | 14 daN m | 6100 daN | 26 | 250 | 5 |
| 315 | 13 | Acero/Steel | 1940 | 17 daN m | 6700 daN | 51 | 315 | 10 |
| 350 | 14 | Acero/Steel | 1746 | 19 daN m | 7000 daN | 57 | 350 | 45 |
| 400 | 16 | Acero/Steel | 1528 | 22 daN m | 8800 daN | 90 | 400 | 20 |
| 500 | 20 | Acero/Steel | 1222 | 24 daN m | 9000 daN | 189 | 500 | 35 |
| 630 | 24 | Acero/Steel | 970 | 26 daN m | 9200 daN | 242 | 630 | 100 |

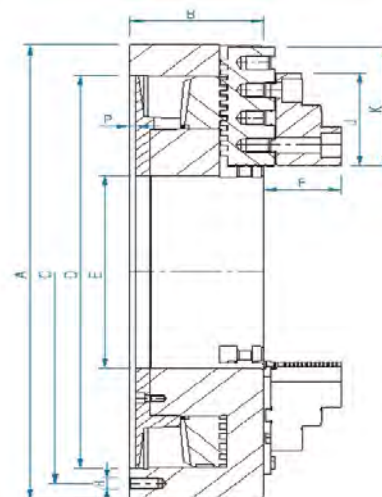


TDG PU - Platos autocentrantes de 3 garras partidas

TDG PU - 3 two piece jaws scroll chuck

| A mm | A inch | B | C | D | E _{max} | F | K | H | L | P | T slots | J |
|------|--------|-----|------|-----|------------------|------|---------|-------|----|----|---------|-----|
| 350 | 14 | 100 | 320 | 290 | 155 | 53,5 | 140 | 3xM14 | 40 | 5 | 3x10 | 127 |
| 400 | 16 | 113 | 362 | 320 | 130 | 53,5 | 140 | 3xM16 | 40 | 5 | 3x10 | 127 |
| 500 | 20 | 141 | 458 | 400 | 165 | 81 | 175 | 6xM16 | 45 | 6 | 4x18 | 127 |
| 630 | 24 | 140 | 586 | 545 | 205 | 81 | 175 | 6xM16 | 45 | 7 | 4x18 | 127 |
| 700 | 27 1/2 | 145 | 660 | 605 | 225 | 93 | 218 | 6xM20 | 60 | 8 | 4x18 | 130 |
| 800 | 31 1/2 | 155 | 760 | 730 | 268 | 93 | 218 | 6xM20 | 60 | 8 | 4x18 | 130 |
| 900 | 35 2/5 | 165 | 850 | 810 | 375 | 93 | 218/296 | 6xM22 | 60 | 8 | 4x18 | 130 |
| 1000 | 39 2/5 | 165 | 950 | 910 | 390 | 93 | 296 | 6xM24 | 60 | 10 | 4x18 | 130 |
| 1200 | 47 | 185 | 950 | 910 | 485 | 94 | 340/375 | 6xM24 | 75 | 10 | 4x18 | 130 |
| 1400 | 55 | 185 | 950 | 910 | 485 | 94 | 375/430 | 6xM24 | 75 | 10 | 4x18 | 130 |
| 1600 | 63 | 190 | 1050 | 910 | 485 | 94 | 530 | 6xM30 | 75 | 10 | 8x22 | 130 |
| 1800 | 72 | 200 | 1050 | 910 | 485 | 94 | 800 | 6xM30 | 75 | 10 | 8x22 | 130 |

| A mm | A inch | Material | Max. R.P.M. | Max. par de apriete | Fuerza de amarre | Peso (kg) 3G | ∅ max. Amarre | ∅ min. Amarre | Peso max. (kg) entre Plato y punto |
|------|--------|-------------|-------------|---------------------|------------------|----------------|-----------------|-----------------|---|
| A mm | A inch | Material | Max. R.P.M. | Max. Torque on Key | Gripping Force | Weight (kg) 3J | max. ∅ Clamping | min. ∅ Clamping | Max weight (kg) between chuck & tailstock |
| 350 | 14 | Acero/Steel | 1746 | 19 daN m | 7000 daN | 57 | 350 | 60 | 350 - 900 |
| 400 | 16 | Acero/Steel | 1528 | 22 daN m | 8000 daN | 90 | 400 | 40 | 400 - 1.100 |
| 500 | 20 | Acero/Steel | 1222 | 40 daN m | 12500 daN | 189 | 500 | 35 | 500 - 2500 |
| 630 | 24 | Acero/Steel | 970 | 40 daN m | 12500 daN | 242 | 630 | 100 | 630 - 3000 |
| 700 | 27,5 | Acero/Steel | 873 | 70 daN m | 13500 daN | 335 | 700 | 85 | 4500 |
| 800 | 31 1/2 | Acero/Steel | 764 | 75 daN m | 13000 daN | 410 | 800 | 125 | 5000 |
| 900 | 35 2/5 | Acero/Steel | 679 | 75 daN m | 12500 daN | 565 | 900 | 150 | 5000 |
| 1000 | 39,4 | Acero/Steel | 611 | 90 daN m | 12000 daN | 721 | 1000 | 200 | 6000 |
| 1200 | 47 | Acero/Steel | 509 | 100 daN m | 13300 daN | 1200 | 1200 | 240 | 7500 |
| 1400 | 55 | Acero/Steel | 437 | 100 daN m | 13300 daN | 1850 | 1400 | 240 | 8000 |
| 1600 | 63 | Acero/Steel | 382 | 110 daN m | 14500 daN | 2800 | 1600 | 240 | 8000 |
| 1800 | 72 | Acero/Steel | 340 | 110 daN m | 14500 daN | 4300 | 1800 | 240 | 8000 |

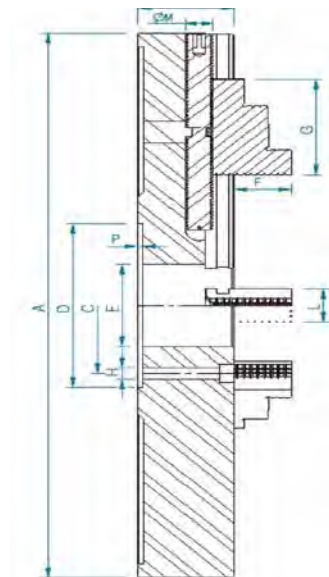


TDG PGI - Platos de garras independientes monoblock

TDG PGI - Monoblock independent jaws chuck

| A mm | A inch | B | C | D | E _{max} | F | G | H | L | P | T slots | M |
|------|--------|-----|-----|-----|------------------|------|-----|-------|----|---|---------|-------|
| 400 | 16 | 80 | 150 | 175 | 80 | 44,5 | 106 | 4XM18 | 35 | 5 | 4x18 | 32mm. |
| 500 | 20 | 80 | 220 | 250 | 100 | 89 | 175 | 4XM18 | 50 | 5 | 4x18 | 32mm. |
| 600 | 24 | 100 | 220 | 250 | 100 | 89 | 175 | 8XM18 | 50 | 5 | 4x22 | 40mm. |
| 700 | 28 | 120 | 220 | 250 | 120 | 89 | 175 | 8XM18 | 50 | 5 | 4x22 | 40mm. |
| 800 | 32 | 125 | 220 | 250 | 135 | 89 | 175 | 8XM18 | 50 | 5 | 4x22 | 40mm. |
| 900 | 36 | 135 | 220 | 250 | 140 | 89 | 175 | 8XM18 | 50 | 5 | 4x22 | 40mm. |
| 1000 | 40 | 140 | 250 | 300 | 150 | 89 | 200 | 8XM20 | 60 | 7 | 4x22 | 40mm. |
| 1200 | 48 | 145 | 250 | 300 | 160 | 89 | 200 | 8XM20 | 60 | 7 | 4x22 | 40mm. |
| 1400 | 56 | 150 | 250 | 300 | 160 | 89 | 200 | 8XM24 | 60 | 7 | 4x22 | 40mm. |
| 1500 | 60 | 165 | 250 | 300 | 160 | 89 | 200 | 8XM24 | 60 | 7 | 4x22 | 40mm. |

| A mm | A inch | Material | Max. R.P.M. | Max. par de apriete | Fuerza de amarre | Peso (kg) | ∅ max. Amarre | ∅ min. Amarre | Peso max. (kg) entre Plato y punto |
|------|--------|-------------|-------------|---------------------|------------------|-------------|-----------------|-----------------|---|
| A mm | A inch | Material | Max. R.P.M. | Max. Torque on Key | Gripping Force | Weight (kg) | max. ∅ Clamping | min. ∅ Clamping | Max weight (kg) between chuck & tailstock |
| 400 | 16 | Acero/Steel | 1528 | 28 daN m | 2000 daN | 73 | 400 | 15 | 400 - 1200 |
| 500 | 20 | Acero/Steel | 1222 | 36 daN m | 2000 daN | 123 | 500 | 20 | 500 - 2500 |
| 600 | 24 | Acero/Steel | 970 | 50 daN m | 3500 daN | 200 | 600 | 30 | 5000 |
| 700 | 28 | Acero/Steel | 873 | 60 daN m | 4000 daN | 320 | 700 | 30 | 5000 |
| 800 | 32 | Acero/Steel | 764 | 60 daN m | 4000 daN | 445 | 800 | 30 | 6000 |
| 900 | 36 | Acero/Steel | 679 | 60 daN m | 4000 daN | 610 | 900 | 30 | 6000 |
| 1000 | 40 | Acero/Steel | 611 | 70 daN m | 5500 daN | 785 | 1000 | 55 | 8000 |
| 1200 | 48 | Acero/Steel | 509 | 70 daN m | 5500 daN | 1040 | 1200 | 55 | 8000 |
| 1400 | 56 | Acero/Steel | 437 | 70 daN m | 5500 daN | 1600 | 1400 | 55 | 8000 |
| 1500 | 60 | Acero/Steel | 407 | 70 daN m | 5500 daN | 1950 | 1500 | 55 | 8000 |

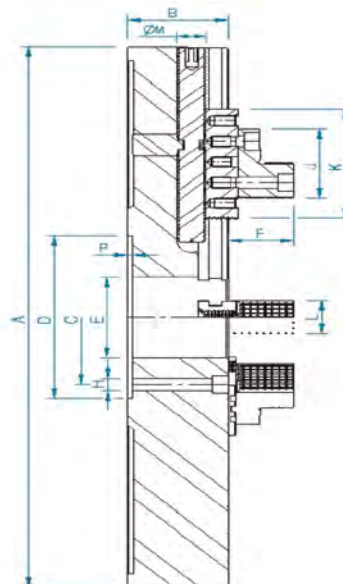


TDG PGI - Platos de garras independientes partidas

TDG PGI - Two pieces jaws independent chuck

| A mm | A inch | B | C | D | E | F | K | J | L | T slots | M |
|------|--------|-----|-----|-----|-----|------|-----|-----|----|---------|--------|
| 400 | 16 | 80 | 150 | 175 | 80 | 68,8 | 127 | 127 | 35 | 4x18 | Ø32mm. |
| 500 | 20 | 80 | 220 | 250 | 100 | 86 | 165 | 127 | 40 | 4x18 | Ø32mm. |
| 600 | 24 | 100 | 220 | 250 | 100 | 84 | 175 | 127 | 61 | 4x22 | Ø40mm. |
| 700 | 28 | 120 | 220 | 250 | 120 | 84 | 175 | 127 | 61 | 4x22 | Ø40mm. |
| 800 | 32 | 125 | 220 | 250 | 135 | 84 | 175 | 127 | 61 | 4x22 | Ø40mm. |
| 900 | 36 | 135 | 220 | 250 | 140 | 84 | 175 | 127 | 61 | 4x22 | Ø40mm. |
| 1000 | 40 | 140 | 250 | 300 | 150 | 91 | 203 | 127 | 61 | 4x22 | Ø40mm. |
| 1200 | 48 | 145 | 250 | 300 | 160 | 91 | 203 | 127 | 61 | 4x22 | Ø40mm. |
| 1400 | 56 | 150 | 250 | 300 | 160 | 91 | 203 | 127 | 61 | 4x22 | Ø40mm. |
| 1500 | 60 | 165 | 250 | 300 | 160 | 91 | 203 | 127 | 61 | 4x22 | Ø40mm. |

| A mm | A inch | Material | Max. R.P.M. | Max. par de apriete | Fuerza de amarre | Peso (kg) | Ø max. Amarre | Ø min. Amarre | Peso max. (kg) entre Plato y punto |
|------|--------|-------------|-------------|---------------------|------------------|-------------|---------------|---------------|---|
| A mm | A inch | Material | Max. R.P.M. | Max. Torque on Key | Gripping Force | Weight (kg) | max. Clamping | min. Clamping | Max weight (kg) between chuck & tailstock |
| 400 | 16 | Acero/Steel | 1528 | 28 daN m. | 2000 daN | 75 | 400 | 15 | 1200 |
| 500 | 20 | Acero/Steel | 1222 | 36 daN m. | 2000 daN | 126 | 500 | 20 | 2500 |
| 600 | 24 | Acero/Steel | 970 | 50 daN m. | 3500 daN | 204 | 600 | 30 | 5000 |
| 700 | 28 | Acero/Steel | 873 | 60 daN m. | 4000 daN | 325 | 700 | 30 | 5000 |
| 800 | 32 | Acero/Steel | 764 | 60 daN m. | 4000 daN | 450 | 800 | 30 | 6000 |
| 900 | 36 | Acero/Steel | 679 | 60 daN m. | 4000 daN | 615 | 900 | 30 | 6000 |
| 1000 | 40 | Acero/Steel | 611 | 70 daN m. | 5500 daN | 790 | 1000 | 55 | 8000 |
| 1200 | 48 | Acero/Steel | 509 | 70 daN m. | 5500 daN | 1045 | 1200 | 55 | 8000 |
| 1400 | 56 | Acero/Steel | 437 | 70 daN m. | 5500 daN | 1605 | 1400 | 55 | 8000 |
| 1500 | 60 | Acero/Steel | 407 | 70 daN m. | 5500 daN | 1960 | 1500 | 55 | 8000 |





PLATOS MANUALES PARA TRABAJOS PESADOS

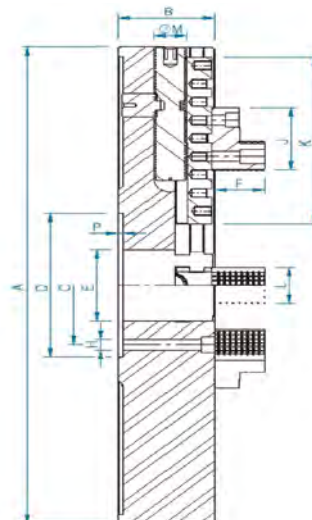
HEAVY DUTY MANUAL CHUCKS

TDG PGI HD - Platos de garras independientes para trabajos pesados

TDG PGI HD - Heavy duty independent chucks

| A mm | A inch | B | C | D | E | F | K | H | L | j | T slots | M |
|------|--------|-----|-------|-----|-----|-----|-----|-------|-----|-----|---------|--------|
| 600 | 24 | 135 | 235 | 300 | 100 | 74 | 130 | 8XM20 | 60 | 203 | 4x22 | 040mm. |
| 700 | 28 | 135 | 235 | 300 | 120 | 74 | 130 | 8XM20 | 60 | 203 | 4x22 | 040mm. |
| 800 | 32 | 135 | 330,2 | 380 | 135 | 74 | 130 | 8XM24 | 60 | 280 | 4x22 | 040mm. |
| 900 | 36 | 135 | 330,2 | 380 | 140 | 74 | 130 | 8XM24 | 60 | 350 | 4x22 | 040mm. |
| 1000 | 40 | 150 | 330,2 | 380 | 150 | 78 | 130 | 8XM24 | 75 | 350 | 4x22 | 050mm. |
| 1200 | 48 | 160 | 463,6 | 520 | 160 | 78 | 130 | 8XM24 | 75 | 425 | 4x22 | 040mm. |
| 1400 | 56 | 170 | 463,6 | 520 | 160 | 78 | 130 | 8XM24 | 75 | 510 | 4x22 | 050mm. |
| 1500 | 60 | 175 | 647,6 | 720 | 160 | 78 | 130 | 8XM30 | 75 | 510 | 4x22 | 050mm. |
| 1500 | 63 | 185 | 647,6 | 720 | 170 | 102 | 180 | 8XM30 | 90 | 550 | 4x28 | 064mm. |
| 1800 | 71 | 185 | 647,6 | 720 | 180 | 102 | 180 | 8XM30 | 90 | 650 | 4x28 | 064mm. |
| 2000 | 79 | 200 | 647,6 | 720 | 180 | 102 | 180 | 8XM30 | 100 | 800 | 4x28 | 064mm. |

| A mm | A inch | Material | Max. R.P.M. | Max. par de apriete | Fuerza de amarre | Peso (kg) | Ø max. Amarre | Ø min. Amarre | Peso max.(kg) entre Plato y punto |
|------|--------|-------------|-------------|---------------------|------------------|-------------|-----------------|-----------------|---|
| A mm | A inch | Material | Max. R.P.M. | Max. Torque on Key | Gripping Force | Weight (kg) | max. Ø Clamping | min. Ø Clamping | Max weight (kg) between chuck & tailstock |
| 600 | 24 | Acero/Steel | 970 | 60daN m | 4000 daN | 240 | 600 | 55 | 6500 |
| 700 | 28 | Acero/Steel | 873 | 60daN m | 4000 daN | 380 | 700 | 55 | 6500 |
| 800 | 32 | Acero/Steel | 764 | 70 daN m | 4500 daN | 510 | 800 | 55 | 7500 |
| 900 | 36 | Acero/Steel | 679 | 70 daN m | 4500 daN | 625 | 900 | 55 | 7500 |
| 1000 | 40 | Acero/Steel | 611 | 90daN m | 6250 daN | 850 | 1000 | 75 | 12000 |
| 1200 | 48 | Acero/Steel | 509 | 90daN m | 6250 daN | 1200 | 1200 | 75 | 13000 |
| 1400 | 56 | Acero/Steel | 437 | 90 daN m | 6250 daN | 1700 | 1400 | 75 | 15000 |
| 1500 | 60 | Acero/Steel | 407 | 90 daN m | 6250 daN | 2140 | 1500 | 75 | 15000 |
| 1600 | 63 | Acero/Steel | 382 | 110 daN m | 7000 daN | 2600 | 1600 | 85 | 25000 |
| 1800 | 71 | Acero/Steel | 340 | 110 daN m | 7000 daN | 3130 | 1800 | 85 | 25000 |
| 2000 | 79 | Acero/Steel | 306 | 110 daN m | 7000 daN | 4200 | 2000 | 200 | 28000 |



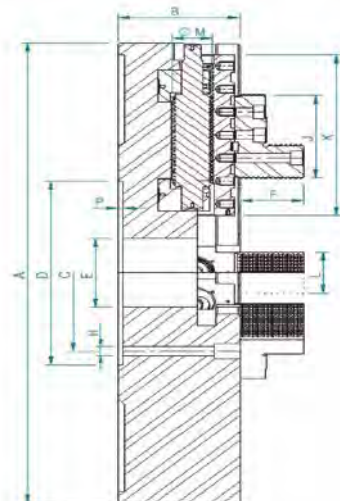
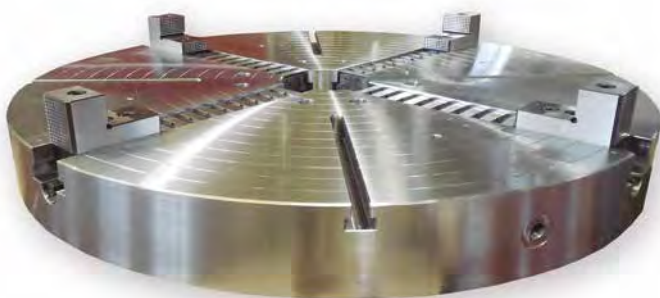
TDG PGI XL - Platos de garras independientes para trabajos pesados XL

TDG PGI XL - Super heavy duty independent chucks

| A mm | A inch | B | C | D | E | F | K | H | L | J | T slots | M |
|------|--------|-----|-------|-----|-------|-----|-----|-----|-----|-----|---------|----|
| 600 | 24 | 150 | 235 | 300 | 8xM20 | 120 | 78 | 130 | 75 | 203 | 4x22 | 50 |
| 700 | 28 | 150 | 235 | 300 | 8xM20 | 140 | 78 | 130 | 75 | 203 | 4x22 | 50 |
| 800 | 32 | 150 | 330,2 | 380 | 8xM24 | 155 | 78 | 130 | 75 | 280 | 4x22 | 50 |
| 900 | 36 | 150 | 330,2 | 380 | 8xM24 | 160 | 78 | 130 | 75 | 315 | 4x22 | 50 |
| 1000 | 40 | 180 | 330,2 | 380 | 8xM24 | 170 | 102 | 180 | 90 | 350 | 4x22 | 64 |
| 1200 | 48 | 180 | 463,6 | 520 | 8xM24 | 180 | 102 | 180 | 90 | 450 | 4x22 | 64 |
| 1400 | 56 | 185 | 463,6 | 520 | 8xM24 | 180 | 102 | 180 | 90 | 550 | 4x22 | 64 |
| 1500 | 60 | 185 | 647,6 | 720 | 8xM30 | 180 | 102 | 180 | 90 | 550 | 4x22 | 64 |
| 1600 | 63 | 195 | 647,6 | 720 | 8xM30 | 190 | 102 | 180 | 100 | 650 | 8x28 | 64 |
| 1800 | 71 | 205 | 647,6 | 720 | 8xM30 | 200 | 102 | 180 | 100 | 650 | 8x28 | 64 |
| 2000 | 79 | 230 | 647,6 | 720 | 8xM30 | 240 | 142 | 245 | 120 | 800 | 8x28 | 80 |

- Bajo demanda se pueden montar husillos mas grandes de los incluidos en catalogo.
- Bigger operation screw could be mounted under request for bigger gripping forces.

| A mm | A inch | Material | Max. R.P.M. | Max. par de apriete | Fuerza de amarre | Peso (kg) | ∅ max. Amarre | ∅ min. Amarre | Peso max. (kg) entre Plato y punto |
|------|--------|-------------|-------------|---------------------|------------------|-------------|-----------------|-----------------|---|
| A mm | A inch | Material | Max. R.P.M. | Max. Torque on Key | Gripping Force | Weight (kg) | max. ∅ Clamping | min. ∅ Clamping | Max weight (kg) between chuck & tailstock |
| 600 | 24 | Acero/Steel | 970 | 80 daN m | 5500 daN | 260 | 600 | 80 | 10000 |
| 700 | 28 | Acero/Steel | 873 | 80 daN m | 5500 daN | 380 | 700 | 100 | 10000 |
| 800 | 32 | Acero/Steel | 764 | 90 daN m | 6250 daN | 510 | 800 | 110 | 12000 |
| 900 | 36 | Acero/Steel | 679 | 90 daN m | 6250 daN | 625 | 900 | 115 | 12000 |
| 1000 | 40 | Acero/Steel | 611 | 110daN m | 7000 daN | 980 | 1000 | 125 | 20000 |
| 1200 | 48 | Acero/Steel | 509 | 110daN m | 7000 daN | 1400 | 1200 | 135 | 22000 |
| 1400 | 56 | Acero/Steel | 437 | 110daN m | 7000 daN | 1920 | 1400 | 135 | 25000 |
| 1500 | 60 | Acero/Steel | 407 | 110daN m | 7000 daN | 2290 | 1500 | 135 | 25000 |
| 1600 | 63 | Acero/Steel | 382 | 110daN m | 7000 daN | 2750 | 1600 | 145 | 45000 |
| 1800 | 71 | Acero/Steel | 340 | 110daN m | 7000 daN | 3530 | 1800 | 150 | 50000 |
| 2000 | 79 | Acero/Steel | 306 | 120 daN m | 10000 daN | 5000 | 2000 | 200 | 60000 |



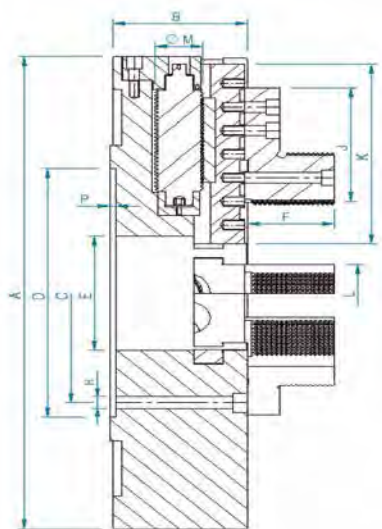
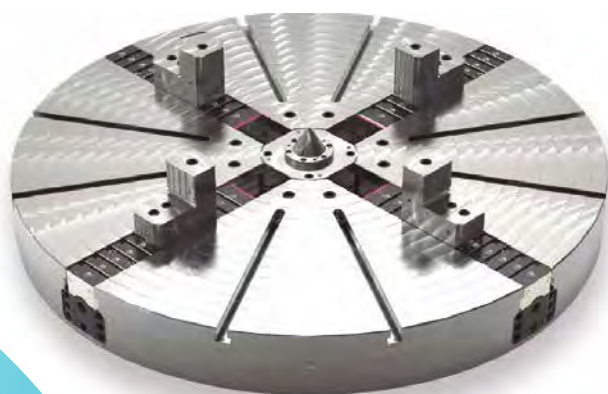
TDG PGI XXL - Platos de garras independientes para trabajos pesados XXL

TDG PGI XXL - Extra heavy duty Independent chucks

| A mm | A inch | B | C | D | E | F | K | H | L | j | T slots | M |
|------|--------|-----|-------|-----|-------|-----|-----|-----|-----|-----|---------|----|
| 800 | 32 | 180 | 330,2 | 380 | 8xM24 | 165 | 102 | 180 | 90 | 280 | 4x22 | 64 |
| 900 | 36 | 180 | 330,2 | 380 | 8xM24 | 165 | 102 | 180 | 90 | 280 | 4x22 | 64 |
| 1000 | 40 | 210 | 330,2 | 380 | 8xM24 | 180 | 102 | 180 | 100 | 350 | 4x22 | 80 |
| 1200 | 48 | 210 | 463,6 | 520 | 8xM24 | 180 | 102 | 180 | 100 | 395 | 4x22 | 80 |
| 1400 | 56 | 210 | 463,6 | 520 | 8xM24 | 180 | 102 | 180 | 100 | 450 | 4x22 | 80 |
| 1500 | 60 | 230 | 647,6 | 720 | 8xM30 | 220 | 142 | 245 | 120 | 520 | 4x22 | 80 |
| 1600 | 63 | 230 | 647,6 | 720 | 8xM30 | 220 | 142 | 245 | 120 | 620 | 8x28 | 80 |
| 1800 | 71 | 230 | 647,6 | 720 | 8xM30 | 220 | 142 | 245 | 120 | 750 | 8x28 | 80 |
| 2000 | 79 | 240 | 647,6 | 720 | 8xM30 | 240 | 142 | 245 | 120 | 800 | 8x28 | 80 |

- Bajo demanda se pueden montar husillos mas grandes de los incluidos en catalogo.
- Bigger operation screw could be mounted under request for bigger gripping forces.

| A mm | A inch | Material | Max. R.P.M. | Max. par de apriete | Fuerza de amarre | Peso (kg) | Ø max. Amarre | Ø min. Amarre | Peso max. (kg) entre Plato y punto |
|------|--------|-------------|-------------|---------------------|------------------|-------------|-----------------|-----------------|---|
| A mm | A inch | Material | Max. R.P.M. | Max. Torque on Key | Gripping Force | Weight (kg) | max. Ø Clamping | min. Ø Clamping | Max weight (kg) between chuck & tailstock |
| 800 | 32 | Acero/Steel | 764 | 110 daN m | 7000 daN | 510 | 800 | 55 | 20000 |
| 900 | 36 | Acero/Steel | 679 | 110 daN m | 7000 daN | 625 | 900 | 55 | 20000 |
| 1000 | 40 | Acero/Steel | 611 | 120 daN m | 10000 daN | 980 | 1000 | 75 | 40000 |
| 1200 | 48 | Acero/Steel | 509 | 120 daN m | 10000 daN | 1400 | 1200 | 75 | 45000 |
| 1400 | 56 | Acero/Steel | 437 | 120 daN m | 10000 daN | 1920 | 1400 | 75 | 50000 |
| 1500 | 60 | Acero/Steel | 407 | 120 daN m | 10000 daN | 2290 | 1500 | 75 | 50000 |
| 1600 | 63 | Acero/Steel | 382 | 120 daN m | 10000 daN | 2750 | 1600 | 85 | 80000 |
| 1800 | 71 | Acero/Steel | 340 | 120 daN m | 10000 daN | 3530 | 1800 | 85 | 90000 |
| 2000 | 79 | Acero/Steel | 306 | 140 daN m | 12500 daN | 5000 | 2000 | 225 | 100000 |

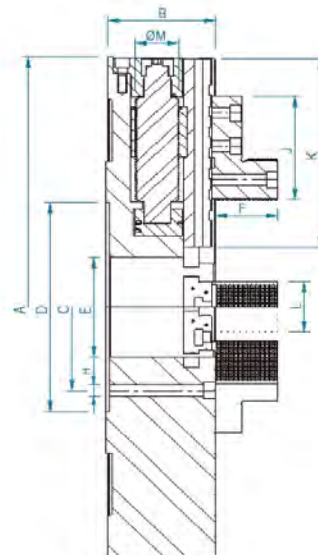


TDG PHM - Platos de garras independientes con husillos multiplicadores.

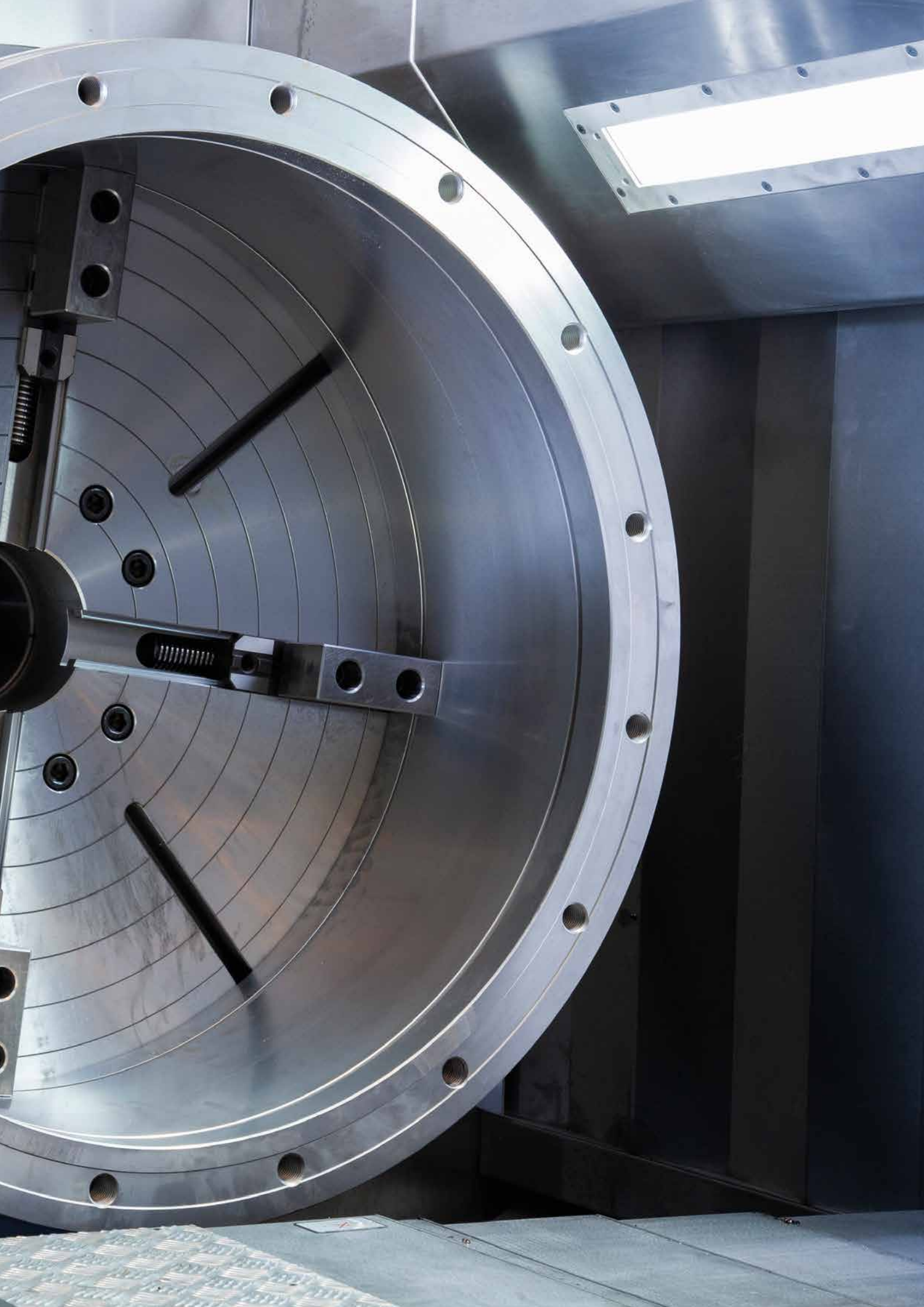
TDG PHM - Power clamping screws chuck

| A mm | A inch | B | C | E | F | K | J | T slots |
|------|--------|-----|-----|-----|-----|-----|-----|---------|
| 1000 | 40 | 225 | 80 | 100 | 125 | 380 | 220 | 4x22 |
| 1200 | 48 | 225 | 80 | 100 | 125 | 450 | 220 | 4x22 |
| 1400 | 56 | 225 | 80 | 100 | 125 | 550 | 220 | 4x22 |
| 1600 | 63 | 225 | 80 | 100 | 125 | 580 | 220 | 8x28 |
| 1800 | 71 | 275 | 100 | 120 | 150 | 650 | 250 | 8x28 |
| 2000 | 79 | 275 | 100 | 120 | 150 | 750 | 250 | 8x28 |

| A mm | A inch | Material | Max. R.P.M. | Max. par de apriete | Fuerza de amarre | Fuerza de amarre | Peso kg | Ø max. Amarre | Ø min. Amarre | Peso max. (kg) entre Plato y punto |
|------|--------|-------------|-------------|---------------------|------------------|------------------|-----------|-----------------|-----------------|---|
| A mm | A inch | Material | Max. R.P.M. | Max. Torque on Key | Gripping Force | Gripping Force | Weight kg | max. Ø Clamping | min. Ø Clamping | Max weight (kg) between chuck & tailstock |
| 1000 | 40 | Acero/Steel | 611 | 55/13 daN.m | 200 kN | 140 kN | 1205 | 1000 | 100 | 60000 |
| 1200 | 48 | Acero/Steel | 509 | 55/13 daN.m | 200 kN | 140 kN | 1520 | 1200 | 150 | 60000 |
| 1400 | 56 | Acero/Steel | 437 | 55/13 daN.m | 200 kN | 140 kN | 2400 | 1400 | 150 | 60000 |
| 1600 | 63 | Acero/Steel | 382 | 55/13 daN.m | 200 kN | 140 kN | 3200 | 1600 | 290 | 60000 |
| 1800 | 71 | Acero/Steel | 340 | 80/16 daN.m | 250 kN | 180 kN | 4800 | 1800 | 320 | 80000 |
| 2000 | 79 | Acero/Steel | 306 | 80/16 daN.m | 250 kN | 180 kN | 5900 | 2000 | 380 | 80000 |







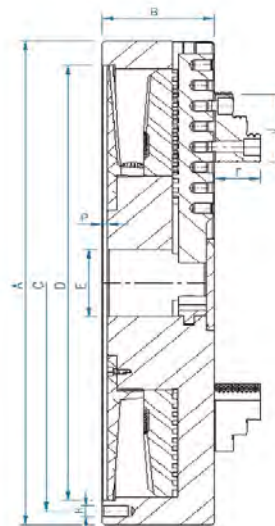
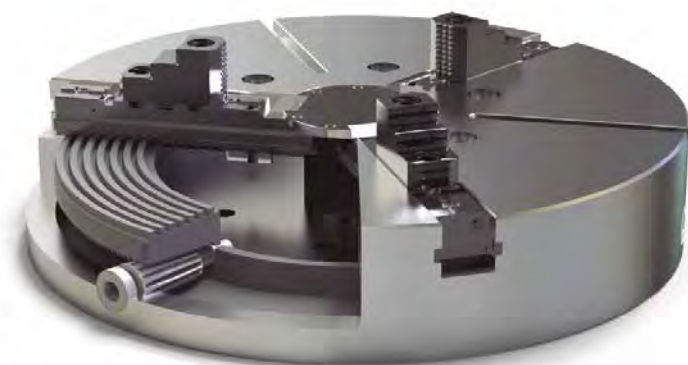
PLATOS ESTANDAR MANUALES PARA TORNO VERTICAL

STANDARD MANUAL CHUCKS FOR VERTICAL LATHES

TDG PU VTL - Platos autocentrantes para torno vertical
 TDG PU VTL - 3 jaws scroll chuck for vertical application

| A mm | A inch | B | C | D | F | H | L | P | T SLOTS | J |
|------|--------|-----|------|-----|----|--------|----|----|---------|-----|
| 700 | 27 1/2 | 162 | 660 | 630 | 71 | 6XM20 | 60 | 8 | 4x18 | 127 |
| 800 | 31 1/2 | 167 | 760 | 730 | 71 | 6XM20 | 60 | 8 | 4x18 | 127 |
| 900 | 35 2/5 | 172 | 850 | 810 | 71 | 6XM22 | 60 | 8 | 4x18 | 127 |
| 1000 | 39 2/5 | 200 | 950 | 910 | 71 | 6XM 24 | 75 | 10 | 4x18 | 130 |
| 1200 | 47 | 200 | 950 | 910 | 80 | 6XM24 | 75 | 10 | 4x22 | 130 |
| 1400 | 55 | 200 | 950 | 910 | 80 | 6XM24 | 75 | 10 | 4x22 | 130 |
| 1600 | 63 | 200 | 1050 | 910 | 80 | 6XM30 | 75 | 10 | 8x22 | 130 |
| 1800 | 72 | 200 | 1050 | 910 | 80 | 6XM30 | 75 | 10 | 8x22 | 130 |

| A mm | A inch | Material | Max. R.P.M. | Max. par de apriete | Fuerza de amarre | Peso 3G (kg) | Ø max. Amarre | Ø min. Amarre |
|------|--------|--------------|-------------|---------------------|------------------|----------------|-----------------|-----------------|
| A mm | A inch | Material | Max. R.P.M. | Max. Torque on Key | Gripping Force | Weight 3J (kg) | max. Ø Clamping | min. Ø Clamping |
| 700 | 27 1/2 | Acero/ Steel | 873 | 70 daN m | 11700 daN | 335 | 700 | 180 |
| 800 | 31 1/2 | Acero/ Steel | 764 | 80 daN m | 12300 daN | 410 | 800 | 180 |
| 900 | 35 2/5 | Acero/Steel | 679 | 80 daN m | 11500 daN | 565 | 900 | 180 |
| 1000 | 39 2/5 | Acero/Steel | 611 | 140 daN m | 15500 daN | 721 | 1000 | 200 |
| 1200 | 47 | Acero/Steel | 509 | 140 daN m | 15500 daN | 1200 | 1200 | 240 |
| 1400 | 55 | Acero/Steel | 437 | 140 daN m | 15500 daN | 1850 | 1400 | 240 |
| 1600 | 63 | Acero/Steel | 382 | 140 daN m | 15500 daN | 2800 | 1600 | 240 |
| 1800 | 72 | Acero/Steel | 340 | 140 daN m | 15500 daN | 4300 | 1800 | 240 |

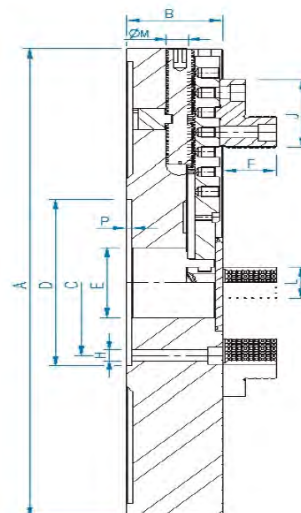


TDG PGI VTL - Platos de garras independientes para torno vertical

TDG PGI VTL - Vertical independent chuck

| A mm | A inch | B | C | D | H | F | J | L | T slots | M |
|------|--------|-----|-------|-----|-------|-----|-----|-----|---------|----|
| 600 | 24 | 135 | 235 | 300 | 8xM20 | 74 | 130 | 60 | 4x22 | 40 |
| 700 | 28 | 135 | 235 | 300 | 8xM20 | 74 | 130 | 60 | 4x22 | 40 |
| 800 | 32 | 135 | 330,2 | 380 | 8xM24 | 74 | 130 | 60 | 4x22 | 40 |
| 900 | 36 | 135 | 330,2 | 380 | 8xM24 | 74 | 130 | 60 | 4x22 | 40 |
| 1000 | 40 | 150 | 330,2 | 380 | 8xM24 | 78 | 130 | 75 | 4x22 | 50 |
| 1200 | 48 | 160 | 463,6 | 520 | 8xM24 | 78 | 130 | 75 | 4x22 | 50 |
| 1400 | 56 | 170 | 463,6 | 520 | 8xM24 | 78 | 130 | 75 | 4x22 | 50 |
| 1500 | 60 | 175 | 647,6 | 720 | 8xM30 | 78 | 130 | 75 | 4x22 | 50 |
| 1600 | 63 | 185 | 647,6 | 720 | 8xM30 | 102 | 180 | 90 | 8x28 | 64 |
| 1800 | 71 | 185 | 647,6 | 720 | 8xM30 | 102 | 180 | 90 | 8x28 | 64 |
| 2000 | 79 | 200 | 647,6 | 720 | 8xM30 | 102 | 180 | 100 | 8x28 | 64 |

| A mm | A inch | Material | Max. R.P.M. | Max. par de apriete | Fuerza de amarre | Peso (kg) | ∅ max. Amarre | ∅ min. Amarre |
|------|--------|-------------|-------------|---------------------|------------------|-------------|-----------------|-----------------|
| A mm | A inch | Material | Max. R.P.M. | Max. Torque on Key | Gripping Force | Weight (kg) | max. ∅ Clamping | min. ∅ Clamping |
| 600 | 600 | Acero/Steel | 970 | 60 daN m | 4000 daN | 240 | 600 | 180 |
| 700 | 700 | Acero/Steel | 873 | 60 daN m | 4000 daN | 380 | 700 | 180 |
| 800 | 800 | Acero/Steel | 764 | 70 daN m | 4500 daN | 510 | 800 | 180 |
| 900 | 900 | Acero/Steel | 679 | 70 daN m | 4500 daN | 625 | 900 | 180 |
| 1000 | 1000 | Acero/Steel | 611 | 90 daN m | 6250 daN | 850 | 1000 | 200 |
| 1200 | 1200 | Acero/Steel | 509 | 90 daN m | 6250 daN | 1200 | 1200 | 240 |
| 1400 | 1400 | Acero/Steel | 437 | 90 daN m | 6250 daN | 1700 | 1400 | 240 |
| 1500 | 1500 | Acero/Steel | 407 | 90 daN m | 6250 daN | 2140 | 1500 | 240 |
| 1600 | 1600 | Acero/Steel | 382 | 110 daN m | 7000 daN | 2600 | 1600 | 240 |
| 1800 | 1800 | Acero/Steel | 340 | 110 daN m | 7000 daN | 3130 | 1800 | 240 |
| 2000 | 2000 | Acero/Steel | 306 | 110 daN m | 7000 daN | 4200 | 2000 | 240 |



PLATOS MANUALES CON GRAN PASO DE BARRA

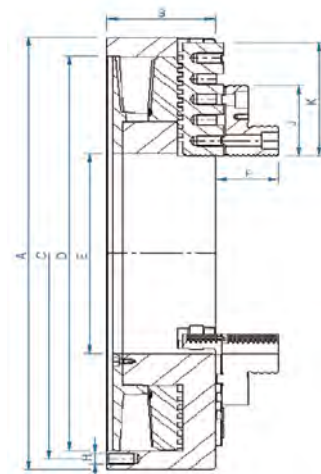
BIG BORE MANUAL CHUCKS. (OIL COUNTRY)

TDG PU Oil Country - Platos autocentrantes 3 garras con gran paso de barra.

TDG PGI Oil Country - Big bore 3 jaws scroll chucks.

| A mm | A inch | Cono | D | E-Max | C | B | F | L | J | K | T. slots |
|------|--------|-------|--------|-------|-------|-----|----|----|-----|-----|----------|
| 500 | 19 2/3 | A2-11 | 196,88 | 192 | 235 | 161 | 83 | 60 | 127 | 165 | 4x18 |
| 500 | 19 2/3 | A1-15 | 285,8 | 205 | 247,6 | 161 | 83 | 60 | 127 | 165 | 4x18 |
| 500 | 19 2/3 | A2-20 | 412,8 | 205 | 463 | 171 | 83 | 60 | 127 | 165 | 4x18 |
| 630 | 24 4/5 | A2-15 | 285,8 | 281 | 330,2 | 168 | 83 | 60 | 127 | 165 | 4x18 |
| 630 | 24 4/5 | A1-20 | 412,8 | 318 | 368,3 | 170 | 83 | 60 | 127 | 165 | 4x18 |
| 700 | 27 5/9 | A2-15 | 285,8 | 281 | 330,2 | 173 | 92 | 75 | 130 | 218 | 4x18 |
| 700 | 27 5/9 | A1-20 | 412,8 | 318 | 368,3 | 175 | 92 | 75 | 130 | 218 | 4x18 |
| 800 | 31 1/2 | A2-15 | 285,8 | 281 | 330,2 | 160 | 92 | 75 | 130 | 250 | 4x18 |
| 800 | 31 1/2 | A2-20 | 412,8 | 408 | 463,6 | 180 | 92 | 75 | 130 | 218 | 4x18 |
| 900 | 35 3/7 | A2-15 | 285,8 | 281 | 330,2 | 190 | 92 | 75 | 130 | 250 | 4x18 |
| 900 | 35 3/7 | A2-20 | 412,8 | 408 | 463,6 | 190 | 92 | 75 | 130 | 250 | 4x18 |
| 1000 | 39 3/8 | A2-20 | 412,8 | 408 | 463,6 | 190 | 92 | 75 | 130 | 250 | 4x18 |
| 1000 | 39 3/8 | A2-28 | 584,25 | 470 | 647,6 | 194 | 92 | 75 | 130 | 218 | 4x18 |

| A mm | A inch | Material | Max. R.P.M. | Max. par de apriete | Fuerza de amarre | Peso (kg) |
|------|--------|--------------|-------------|---------------------|------------------|-------------|
| A mm | A inch | Material | Max. R.P.M. | Max. Torque on Key | Gripping Force | Weight (kg) |
| 500 | 19 2/3 | Acero/ Steel | 1222 | 40 daN m | 12500 daN | 230 |
| 630 | 24 | Acero/ Steel | 970 | 40 daN m | 12500 daN | 295 |
| 700 | 28 | Acero/Steel | 873 | 70 daN m | 13500 daN | 370 |
| 800 | 32 | Acero/Steel | 764 | 75 daN m | 13000 daN | 450 |
| 900 | 36 | Acero/Steel | 679 | 75 daN m | 12500 daN | 650 |
| 1000 | 40 | Acero/Steel | 611 | 90 daN m | 12000 daN | 780 |

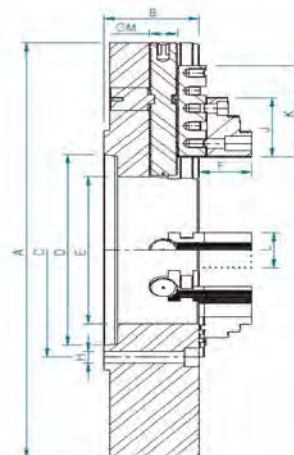


TDG PGI Oil Country - Platos de garras independientes con gran paso de barra.

TDG PGI Oil Country - Big bore independent chucks.

| A mm | A inch | Cono/taper | D | E | C | B | K | F | L | T | Tslots | M | J |
|------|--------|------------|-------|-----|-------|-----|-----|----|----|----|--------|----|-----|
| 450 | 18" | A2-11" | 196,8 | 192 | 235 | 146 | 165 | 83 | 60 | 22 | 4x18 | 40 | 127 |
| 530 | 21" | A2-11" | 196,8 | 192 | 235 | 146 | 165 | 83 | 60 | 22 | 4x18 | 40 | 127 |
| | | A2-15" | 285,8 | 281 | 330,2 | 146 | 165 | 83 | 60 | 22 | 4x18 | 40 | 127 |
| 600 | 24" | A2-11" | 196,8 | 192 | 235 | 155 | 203 | 92 | 75 | 22 | 4x22 | 50 | 127 |
| | | A2-15" | 285,8 | 281 | 330,2 | 155 | 203 | 92 | 75 | 22 | 4x22 | 50 | 127 |
| | | A2-20" | 412,8 | 318 | 463,6 | 155 | 203 | 92 | 75 | 22 | 4x22 | 50 | 127 |
| 700 | 28" | A2-15" | 285,8 | 281 | 330,2 | 155 | 203 | 92 | 75 | 22 | 4x22 | 50 | 127 |
| | | A2-20" | 412,8 | 408 | 463,6 | 155 | 203 | 92 | 75 | 22 | 4x22 | 50 | 127 |
| 800 | 32" | A2-15" | 285,8 | 281 | 330,2 | 165 | 203 | 92 | 75 | 22 | 4x22 | 50 | 127 |
| | | A2-20" | 412,8 | 408 | 463,6 | 165 | 203 | 92 | 75 | 22 | 4x22 | 50 | 127 |
| 900 | 36" | A2-15" | 285,8 | 281 | 330,2 | 165 | 203 | 92 | 75 | 22 | 4x22 | 50 | 127 |
| | | A2-20" | 412,8 | 408 | 463,6 | 165 | 203 | 92 | 75 | 22 | 4x22 | 50 | 127 |
| 1000 | 40" | A2-20" | 412,8 | 408 | 463,6 | 165 | 203 | 92 | 75 | 28 | 4x22 | 50 | 127 |

| A mm | A inch | Material | Max. par de apriete | Fuerza de amarre | Max. R.P.M. | Peso (kg) |
|------|--------|-------------|---------------------|------------------|-------------|-------------|
| A mm | A inch | Material | Max. Torque on Key | Gripping Force | Max R.P.M. | Weight (kg) |
| 450 | 18" | Acero/Steel | 1350 | 40 daN m | 2750 daN | 105 |
| 530 | 21" | Acero/Steel | 1150 | 50 daN m | 3125 daN | 210 |
| 600 | 24" | Acero/Steel | 970 | 60 daN m | 3750 daN | 300 |
| 700 | 28" | Acero/Steel | 873 | 60 daN m | 3750 daN | 375 |
| 800 | 32" | Acero/Steel | 764 | 70 daN m | 4750 daN | 540 |
| 900 | 36" | Acero/Steel | 679 | 70 daN m | 4750 daN | 700 |
| 1000 | 40" | Acero/Steel | 611 | 70 daN m | 4750 daN | 820 |

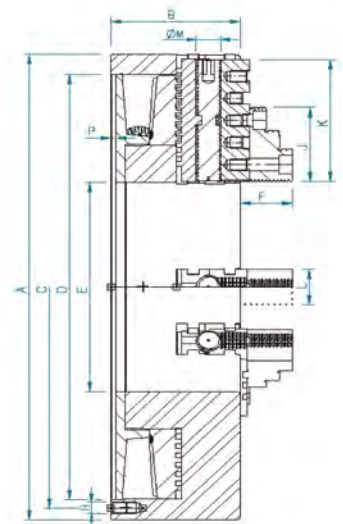


PLATOS COMBINADOS COMBINATION CHUCKS

Platos combinados de gran diámetro Large diameter combination chucks

| A mm | A inch | Cono/taper | B | C | H | D | E | F | L | K | T-slots | M | J | P |
|------|--------|---------------|-----|-------|-------|-------|---------|----|----|---------|---------|------|-----|----|
| 630 | 24 | Cajera/Recess | 195 | 586 | 6xM16 | 545 | 180/250 | 83 | 60 | 212/100 | 40 | 4x22 | 130 | 7 |
| | | 11" | 195 | 235 | NORMA | 196,8 | 180 | 83 | 60 | 212 | 40 | 4x22 | 130 | 7 |
| | | 15" | 210 | 330,2 | NORMA | 285,8 | 250 | 83 | 60 | 18'.l | 40 | 4x22 | 130 | 7 |
| 700 | 27 1/2 | Cajera/Recess | 200 | 660 | 6xM20 | 605 | 192/268 | 83 | 60 | 247/212 | 40 | 4x22 | 130 | 8 |
| | | 11" | 200 | 235 | NORMA | 196,8 | 192 | 83 | 60 | 247 | 40 | 4x22 | 130 | 8 |
| | | 15" | 200 | 330,2 | NORMA | 285,8 | 268 | 83 | 60 | 212 | 40 | 4x22 | 130 | 8 |
| 800 | 31 1/2 | Cajera/Recess | 205 | 760 | 6xM20 | 705 | 268/381 | 83 | 60 | 247/184 | 40 | 4x22 | 130 | 8 |
| | | 11" | 205 | 235 | NORMA | 196,8 | | 83 | 60 | 272 | 40 | 4x22 | 130 | 8 |
| | | 15" | 205 | 330,2 | NORMA | 285,8 | 268 | 83 | 60 | 247 | 40 | 4x22 | 130 | 8 |
| | | 20" | 225 | 463,6 | NORMA | 412,8 | 381 | 83 | 60 | 184 | 40 | 4x22 | 130 | 8 |
| 900 | 35 2/5 | Cajera/Recess | 215 | 850 | 6xM24 | 805 | 280/381 | 83 | 60 | 272/247 | 40 | 4x22 | 130 | 8 |
| | | 11" | 215 | 235 | NORMA | 196,8 | 280 | 83 | 60 | 272 | 40 | 4x22 | 130 | 8 |
| | | 15" | 215 | 330,2 | NORMA | 285,8 | 280 | 83 | 60 | 272 | 40 | 4x22 | 130 | 8 |
| | | 20" | 235 | 463,6 | NORMA | 412,8 | 381 | 83 | 60 | 247 | 40 | 4x22 | 130 | 8 |
| 1000 | 39 2/5 | Cajera/Recess | 225 | 950 | 6xM24 | 905 | 280/408 | 83 | 60 | 327/272 | 40 | 4x22 | 130 | 10 |
| | | 15" | 225 | 330,2 | NORMA | 285,8 | 280 | 83 | 60 | 327 | 40 | 4x22 | 130 | 10 |
| | | 20" | 235 | 463,6 | NORMA | 412,8 | 408 | 83 | 60 | 272 | 40 | 4x22 | 130 | 10 |

| A mm | A inch | Material | Max. R.P.M. | Corona / Scroll | | Husillo / Screw | | Peso (kg) | Ø max. amarre | Ø min. amarre |
|------|--------|--------------|-------------|---------------------|------------------|------------------------|--------------------|-------------|-----------------|-----------------|
| | | | | Max. par de apriete | Fuerza de amarre | Max. par de apriete | Fuerza de amarre | | | |
| A mm | A inch | Material | Max. R.P.M. | Max. torque on key | Gripping force | Max. torque de apriete | Gripping de amarre | Weight (kg) | max. Ø clamping | min. Ø clamping |
| 630 | 24 | Acero/ Steel | 970 | 40 daN m | 12500 daN | 70 daN m | 5000 daN | 430 | 630 | 80 |
| 700 | 28 | Acero/ Steel | 873 | 70 daN m | 13500 daN | 70 daN m | 5000 daN | 500 | 700 | 80 |
| 800 | 32 | Acero/Steel | 764 | 75 daN m | 15000 daN | 70 daN m | 5000 daN | 650 | 800 | 120 |
| 900 | 36 | Acero/Steel | 679 | 75 daN m | 12500 daN | 70 daN m | 5000 daN | 880 | 900 | 120 |
| 1000 | 40 | Acero/Steel | 611 | 90 daN m | 12000 daN | 70 daN m | 5000 daN | 1010 | 1000 | 120 |



Platos manuales

Manual chucks

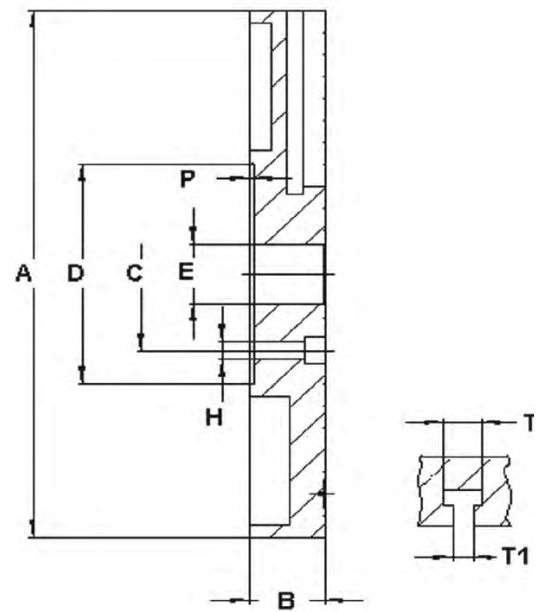
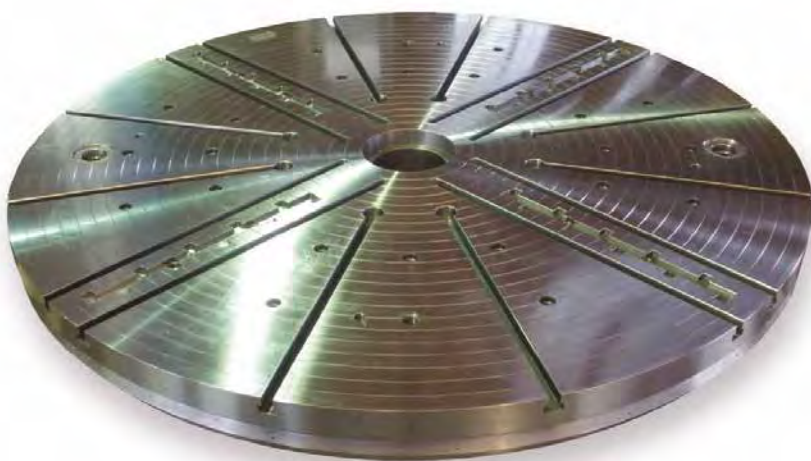


PLATOS LISOS

FACE PLATES

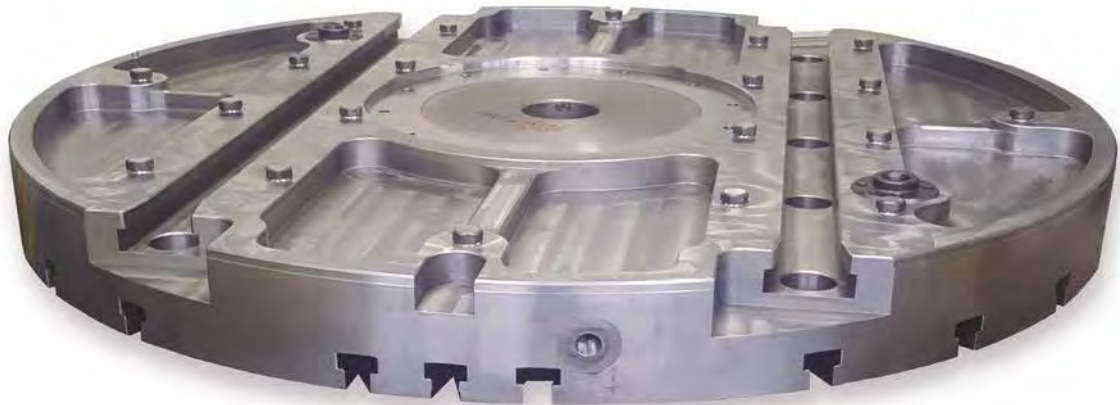
Platos lisos
Face plates

| A mm | A inch | B | C | D | E | H | T1 | T2 | Peso/ weight (kg) |
|------|--------|----|-----|-----|-----|-------|----|----|-------------------|
| 400 | 16 | 78 | 150 | 210 | 62 | 4xM18 | 18 | 30 | 40 |
| 500 | 20 | 75 | 150 | 210 | 65 | 4xM18 | 18 | 30 | 68 |
| 600 | 24 | 80 | 168 | 280 | 68 | 4xM18 | 22 | 40 | 122 |
| 700 | 28 | 85 | 220 | 280 | 70 | 4xM18 | 22 | 40 | 150 |
| 800 | 32 | 85 | 220 | 280 | 75 | 8xM18 | 22 | 40 | 185 |
| 900 | 36 | 85 | 220 | 280 | 75 | 8xM18 | 22 | 40 | 360 |
| 1000 | 40 | 90 | 220 | 280 | 80 | 8xM18 | 22 | 40 | 440 |
| 1200 | 48 | 90 | 220 | 300 | 85 | 8xM18 | 28 | 50 | 505 |
| 1400 | 56 | 95 | 220 | 300 | 100 | 8xM20 | 28 | 50 | 500 |
| 1500 | 60 | 95 | 270 | 380 | 100 | 8xM24 | 28 | 50 | 575 |



PALLETS TDG

TDG PALLETS



- Además de nuestra propia gama de intercambiadores de pallets, también fabricamos pallets a medida de instalaciones existentes o para otros fabricantes.
- In addition to our own range of pallet exchangers, we also manufacture custom pallets for existing facilities or for other manufacturers.
- Dimensiones 100% adaptables a las necesidades del cliente.
- Dimensions 100% adaptable to customer needs.
- Preparamos pallets y platos lisos para trabajar con puntos cero o coronas hirt.
- We prepare pallets and face plates to work with hirt crowns or zero point systems.



BLOQUES TDG DE GARRAS MANUALES

TDG BOX JAWS

Bloques de fundición como estándar Cast Iron as standard

Bloques de acero como opcional Steel box jaw as an option

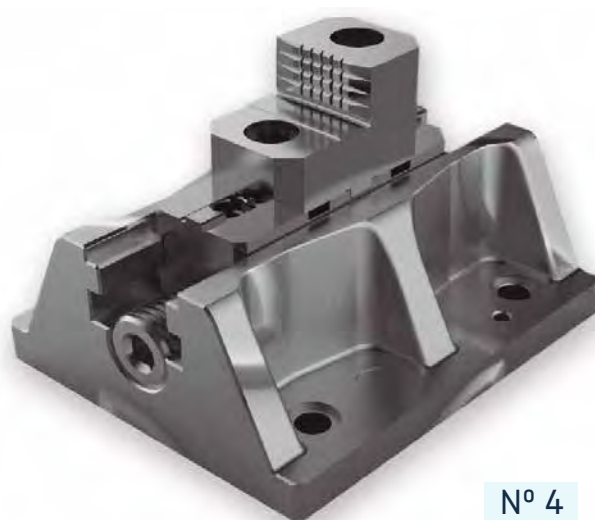
Bloques de husillos multiplicadores (disponibles bajo consulta) Box jaws with power clamping screws (under request)

| A mm | FIG | PESO (kg) WEIGHT (kg) | A | B | C | D | E | F | G | H |
|--------|-----|--------------------------|-----|-----|-----|-----|-----|------------|-----|-----|
| Nº3 | 1 | 16 | 210 | 172 | 98 | 188 | 125 | 120 130 | 200 | 60 |
| Nº4 | 1 | 37 | 305 | 250 | 125 | 213 | 180 | 140 200 | 203 | 75 |
| Nº6 | 2 | 25 | 360 | 170 | 118 | 209 | 315 | - | 200 | 60 |
| Nº7 HM | - | 155 | 450 | 300 | 160 | - | - | - | - | 100 |

- Las dimensiones se pueden adaptar a las necesidades de cliente bajo consulta.
- Main dimensions to be adapted to the customer needs under request.



Nº 3



Nº 4

| | | | |
|-----|----------------|---------------------------------------|---------------------|
| Nº3 | Garra de 60 mm | Fuerza de amarre 4.500 daN por bloque | A 60 daN por metro |
| Nº3 | 60 mm jaw | Clamping force: 4,500 daN per box jaw | At 60 daN per meter |
| Nº4 | Garra de 75 mm | Fuerza de amarre 5.500 daN por bloque | A 70 daN por metro |
| Nº4 | 75 mm jaw | Clamping force: 5,500 daN per box jaw | At 70 daN per meter |
| Nº6 | Garra de 60 mm | Fuerza de amarre 4.500 daN por bloque | A 60 daN por metro |
| Nº6 | 60 mm jaw | Clamping force: 4,500 daN per box jaw | At 60 daN per meter |

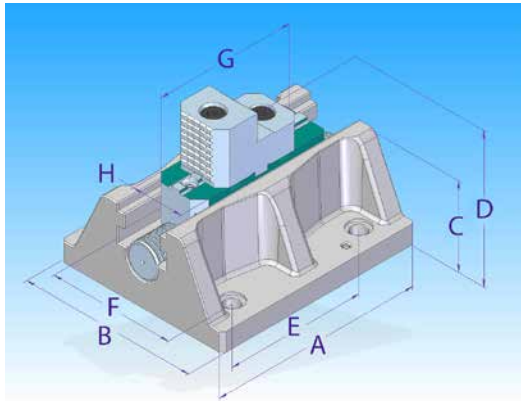


Figura 1

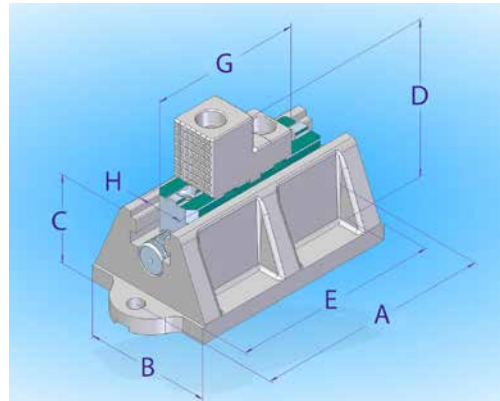


Figura 2



Nº 6



Nº 7

SOLUCIONES DE AMARRE A MEDIDA

TAILOR MADE CLAMPING SOLUTIONS

Disponibles platos autocentrantes e independientes con múltiples garras y garras especiales a medida.
Available scroll and independent chucks with multiple jaws and customized jaws.



- Soluciones de amarre rápido en diferentes diámetros de pieza con un único plato y con amarre radial/axial o mixto, totalmente customizados a las piezas de cada cliente.
- Quick clamping solutions for pieces of different diameters with a single plate and with radial / axial or mixed clamping, totally customized to the pieces of each client.



Diseños 100% especiales para aplicaciones de acuerdo a especificaciones de cliente.
100% customized solutions according customer specifications.



- Diseñamos y fabricamos garras a medida de cada aplicación y de cada cliente.
- We design and manufacture tailor made jaws according different applications and customers.



OTROS CATÁLOGOS TDG QUE LE PUEDEN RESULTAR DE INTERÉS

OTHER TDG BROCHURES THAT MAY BE OF INTEREST TO YOU



TDG CLAMPING SOLUTIONS

TDG dispone de un equipo de ingeniería y de los más modernos medios tecnológicos para proporcionar a sus clientes, las soluciones más avanzadas en función de sus necesidades.

TDG Clamping Solutions no es solo un fabricante de platos de amarre con más de 100 años de experiencia. TDG es el partner de referencia para fabricantes de torno de todo el mundo, a los que proveemos de soluciones a medida y a los que ayudamos a ganar proyectos de gran valor añadido.

TDG has an engineering team and state of the art technologies to provide its customer with the most advanced technical solutions according to their needs.

TDG Clamping Solutions is not just a chuck manufacturer with over 100 years of experience.

TDG is the reference partner for lathes manufacturers around the world, to whom we provide tailor made solutions and to whom we help to win projects of great added value.



TDG Gernika

Goikoibarra, 3

48300 Gernika (Bizkaia) Spain

T. +34 946 250 500

tdg@tdgcompany.com

www.tdgcompany.com

TDG German Sales office.

POB 610115

D-68231 Mannheim

T: +49 621 4819878 / +49 176 96618330

TDGdeutschland@tdgcompany.com

TDG Italian Sales Office

Viale Einaudi 15-B

20020 Arese (Milan)

T: +39 029 3583165

TDGItalia@tdgcompany.com



TDG
Clamping
Solutions
Gernika Since 1916

DELIVERING ALL AROUND THE WORLD

Spain, USA, France, Germany, Italy, Russian Fed., Taiwan, Mexico, Australia, Netherlands, Norway, Israel, Brazil, United Kingdom, Portugal, Sweden, Denmark, Latvia, Austria, India, Czech Republic, Poland, Colombia, Hungary, Luxembourg, New Zealand, Venezuela, Saudi Arabia, Argentina, Lithuania, Turkey, Ukraine, Romania, Japan, Chile, Slovakia, Bangladesh, South Africa, United Arab Emir, South Korea, Belgium, Canada, Indonesia, Finland, Bulgaria, Switzerland, Egypt, China, Singapore...

